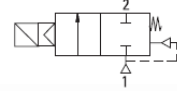


**GENERAL FEATURES**

- New design
- TORK series S1110 (N.C) diaphragm solenoid valves are 2/2 way and pilot operated
- Suitable for non-aggressive liquids (water, light oil etc...) gaseous fluids (air, inert gases etc...)
- Minimum operating pressure differential 0,5 bar
- Wide pressure ratings, range of flow rate and orifice options
- TORK solenoid valves satisfy relevant 97/23/EC, Pressure Equipment Directive (PED) and 2006/95/ECC Low Voltage Directive (LVD) Coils interchangeable
- Solenoid valves must be used with filtered fluids.
- Solenoids valve can be mounted in any position without affecting operation; vertical with coil upwards preferred
- Standard pipe connection is G (BSP) (ISO 228-1) and on request; other pipe connections are available (NPT (ANSI 1.20.3))
- S1110 solenoid valves open quickly; their closing adjustment can be adjusted by rigging screw and they can remain open continuously by adjusting their rigging screw when it needs to stay open for a long time.

**Normally Closed**



**ELECTRICAL CHARACTERISTICS**

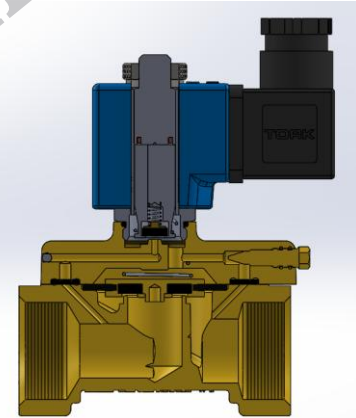
- Continuous Duty: ED %100
- Coil Insulation Class: H (180°C)
- Coil Impregnation: Polyester Fiber Class
- Coil Encapsulation Material: Fiber Glass Reinforced
- Ambient Temperature: from -10°C, +60°C
- Protection Degree: IP65 (ISO 60529) on request; IP68
- Electric Plug Connection: DIN 46340 3-poles connector (DIN 43650)
- Connector Specification: ISO 4400 / EN 175301-803 Form A, Spade Plug (Cable Ø6-8 mm)
- Electrical Safety: IEC 335
- Standard Voltages: For AC 12V, 24V, 48V, 110V, 230V  
DC 12V, 24V, 48V, 110V
- Other voltages on request;
- Voltage Tolerances: For AC -15%, +10%  
For DC -5%, +10%
- Frequency: 50 Hz, other frequencies on request; (60 Hz...)  
Other request; connector with LED  
Specify coil voltage with order

**MATERIALS ON CONTACT WITH FLUID**

- Body: Brass
- Internal Parts: Stainless Steel and Brass  
Sealing: NBR Other request; VITON, EPDM
- Shading Ring: Copper
- Core, Tube, Spring: Stainless Steel

**TECHNICAL FEATURES**

- Max Viscosity: 5°E (~37cST or mm<sup>2</sup>/s)
- Response Time: Opening Time: 400 ms to ~1600 ms  
Closing Time: 1000 ms to ~2000 ms



Valve Type /Order no	Connection Size	Orifice Size	Pressure		Kv	Fluid Temperature		Seal	Weight
			min	max		min	max		
S1110	G	mm	bar	bar	lt/min	°C			kg
S1110.02	3/8"	12,5	0,5	16	48	-10	+80	NBR	0,75
S1110.03	1/2"	14,5	0,5	16	70	-10	+80	NBR	0,78
S1110.04	3/4"	17	0,5	16	85	-10	+80	NBR	0,9
S1110.05	1"	17	0,5	16	90	-10	+80	NBR	1
S1110.06	1 1/4"	46	0,5	12	390	-10	+80	NBR	2,9
S1110.07	1 1/2"	46	0,5	12	460	-10	+80	NBR	2,9
S1110.08	2"	46	0,5	12	580	-10	+80	NBR	3,3